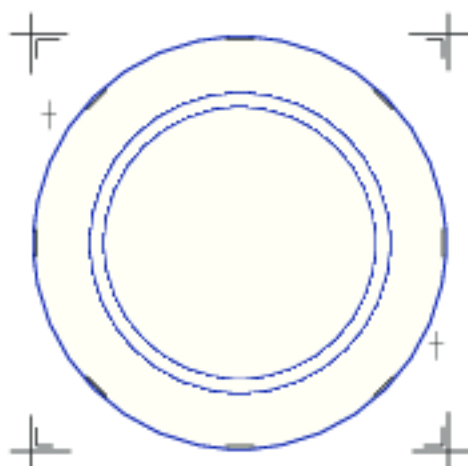


## Example template squeeze top tin



## Note for designers Designing the artwork

### Opaque colours – primed white

- The colours stand out stronger on white primed tin plate and the metal does not shine through.
- Opaque colour decoration on white full-surface base coat:  
> artwork drawn onto white base coat
- Partial metallic decoration combined with opaque decoration:  
> only partial white base coat under artwork

### Metallic – printing straight on the tin plate

- Offset colours printed directly on the tin plate look metallic.
- Artwork design is normally done in CMYK or/plus special colours without undercoat.

### General information

#### Template for customers

- Hoffmann creates a template for every tin form
- Customer to receive: 1:1 electronic file, Illustrator.eps + Acrobat.pdf per e-mail

#### Electronic data delivery to Hoffmann

- Vectorised data
- Before saving remove unused colour fields (Illustrator)
- Please also send the files in PDF/X4 format. This provides the necessary data transmission security. (with embedded text)
- Operating system: Macintosh OS X (Windows 2000)
- Programme: Photoshop CS, Illustrator CS, Esko ArtPro
- Support: CD-ROM, DVD
- Files sent by e-mail: max. 5 MB
- File upload to the Hoffmann-Neopac database:  
<http://artworkupload.hoffmannneopac.com>  
Username and password will be sent by e-mail
- If you have any questions:  
+41 (0)33 335 65 05  
Gerhard Wallner, Head of Pre Press  
[gerhard.wallner@hoffmann.ch](mailto:gerhard.wallner@hoffmann.ch)

### IMPORTANT



- Please submit files (vectorised data) in original program for processing.
- Please also add an approved file in PDF/X-format. This is a substantial contribution in our effort towards creating secure data transfer.